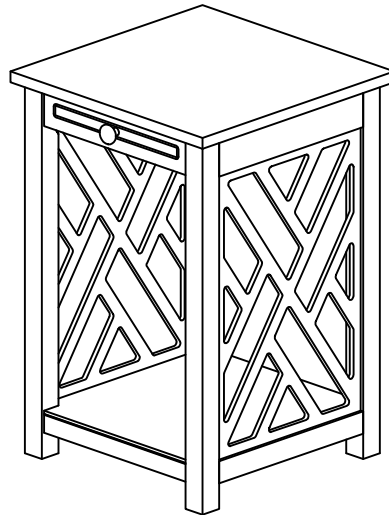


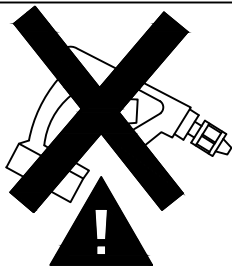
ASSEMBLY INSTRUCTION

END TABLE WITH 1 SHELF

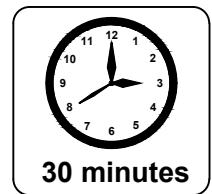
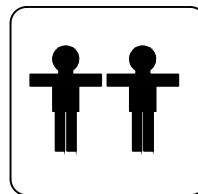


REPLACEMENT PARTS

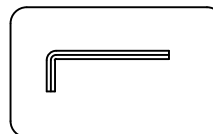
Please do not contact the company purchased from as we can help you faster.
Order replacement parts and hardware at " www.boltonfurniture.com "



- . Use of power tool to assemble this product will invalidate any claim and damage this product making it unsafe !!!
- . Please assemble on a clean soft surface to avoid damage.

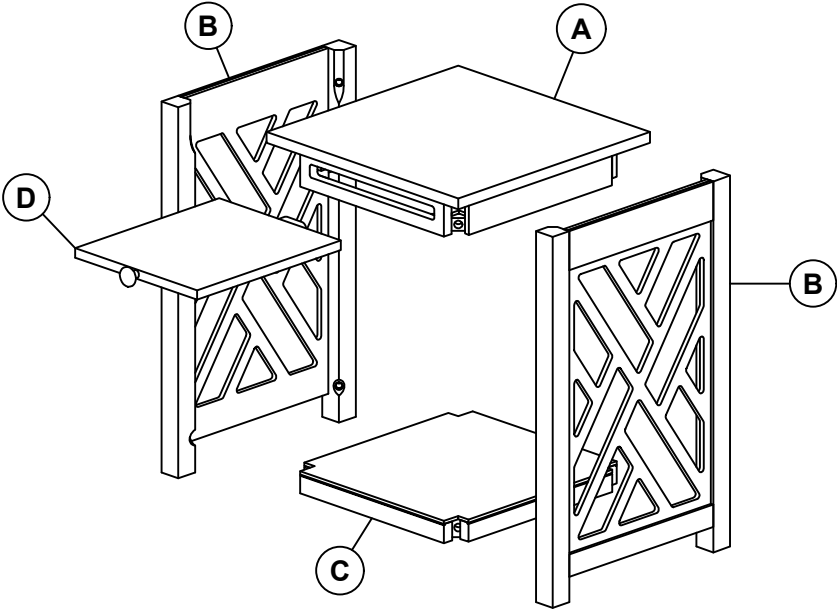


Tools Required




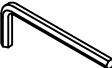
www.boltonfurniture.com


Part list - End Table



Identifying the hardware-Identify the hardware using the illustrations below

E  **08**
M6x45MM BOLT

F  **01**

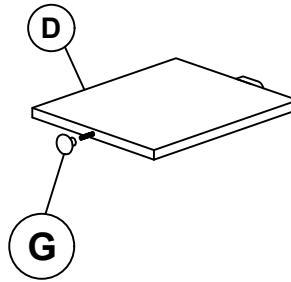
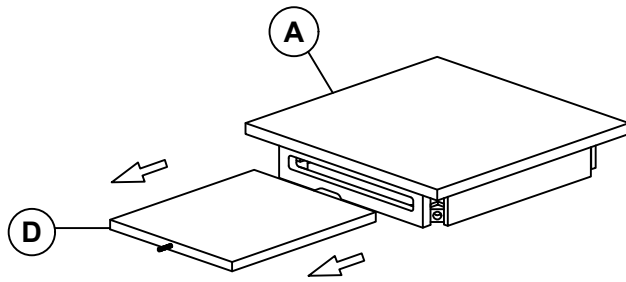
G  **01**

Step 01

G



01



Step 02

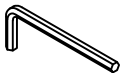
E



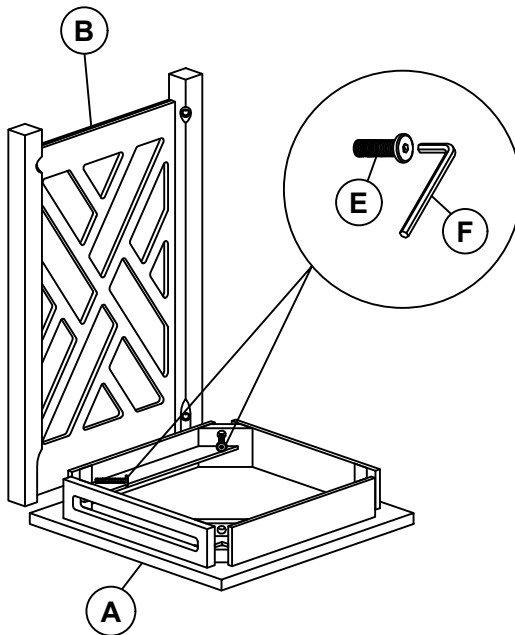
M6x45MM BOLT

04

F

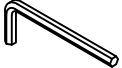


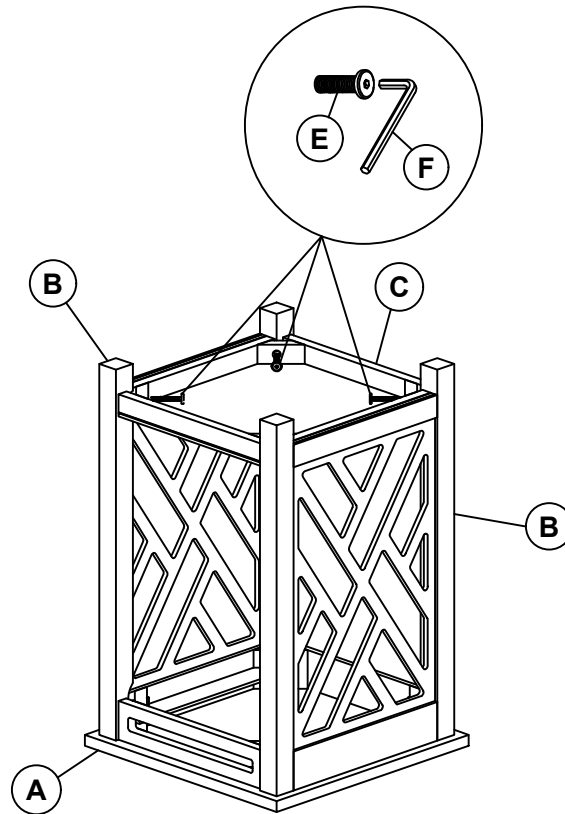
01



Step 03

E  **04**
M6x45MM BOLT

F  **01**



Step 04

